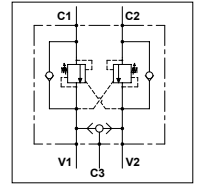
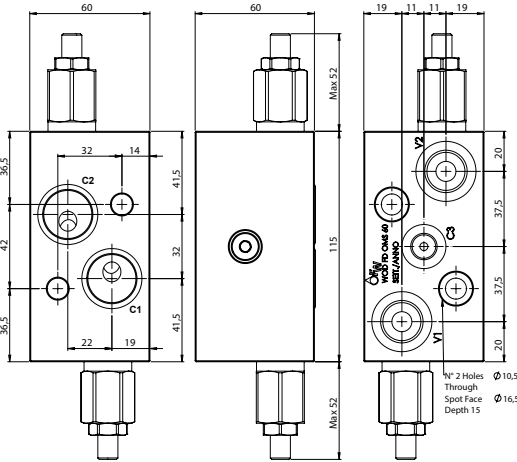


WOD FD OMS 60

TECHNICAL DATA

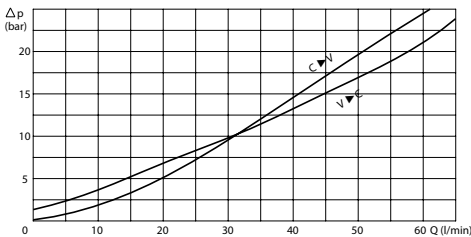
- **Flow:** 60 l/min
- **Max setting pressure:** 350 bar
- **Max working pressure:** 250 bar (350 bar)
- **Materials:** Aluminium Body (Steel body if required)
- **Pilot ratio:** 4:1 (if request 1:1; 8:1; 11:1)
- **Note:** Flangeable on Danfoss motors OMS/T/V
- **Weight:** 1,350 kg (3,050 kg)



PORTS

V1 - V2	3/8	1/2
C3	1/4	
C1 - C2	ø8,5	

PRESSURE DROP CURVES



SPRINGS

Code	20			35		
	Adjustable pressure range bar	Pressure increase bar/turn	Standard setting bar	Adjustable pressure range bar	Pressure increase bar/turn	Standard setting bar
1:1	10-70	15	10	30-200	25	30
4:1	60-210	70	170	80-350	120	280
8:1	60-220	50		100-350	85	
11:1	60-250	90		80-350	150	

ORDERING CODE

WOD

FD

OMS

60

Ports Size:

- 3/8
- 1/2

Material Body:

- Omit if aluminium
- S = Steel

Springs:

- 20
- 35

Pilot Ratio:

- Omit if 4:1
- 1 = 1:1
- 8 = 8:1
- 11 = 11:1

Adjustment if Required:

- Omit if not required
- Value