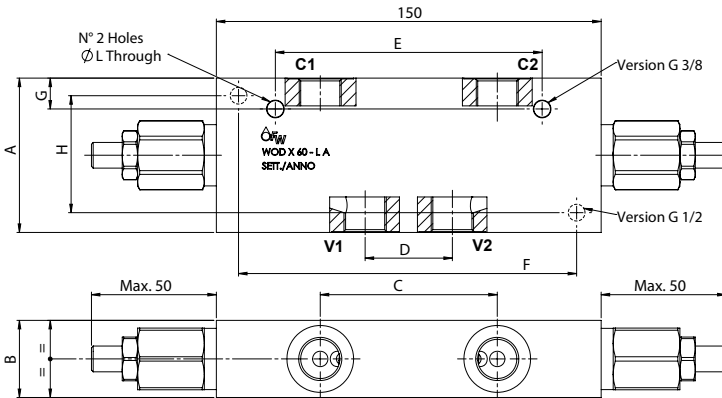
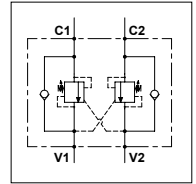


## WOD X 60 - L A

### TECHNICAL DATA

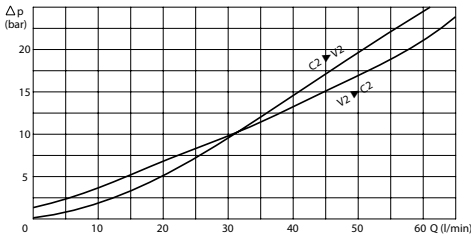
- Flow:** 60 l/min
- Max setting pressure:** 250 bar
- Materials:** Aluminium Body
- Pilot ratio:** 4:1 (if request 1:1; 8:1; 11:1)
- Weight:** See Table

- Note:** Pressure setting must be 30 % higher that pressure induced by the load



PORTS		
C1 - C2 V1 - V2	3/8	1/2
DIMENSIONS		
A	60	70
B	30	35
C	69	80
D	34	36
E	104	-
F	-	125
G	12	-
H	-	54
L	6,5	8,5
Weight (kg)	1,020	1,255

### PRESSURE DROP CURVES



### SPRINGS

Code	20			35		
	Adjustable pressure range bar	Pressure increase bar/turn	Standard setting bar	Adjustable pressure range bar	Pressure increase bar/turn	Standard setting bar
1:1	10-70	15	10	30-200	25	30
4:1	60-210	70	170	80-350	120	280
8:1	60-220	50		100-350	85	
11:1	60-250	90		80-350	150	

### ORDERING CODE

WOD	X	60		L	A			
			<b>Ports Size:</b>			<b>Springs:</b>	<b>Pilot Ratio:</b>	<b>Adjustment if Required:</b>
			- 3/8 - 1/2			- 20 - 35	- Omit if 4:1 - 1 = 1:1 - 8 = 8:1 - 11 = 11:1	- Omit if not required - Value