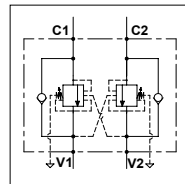


WODSFC 30 - L

TECHNICAL DATA

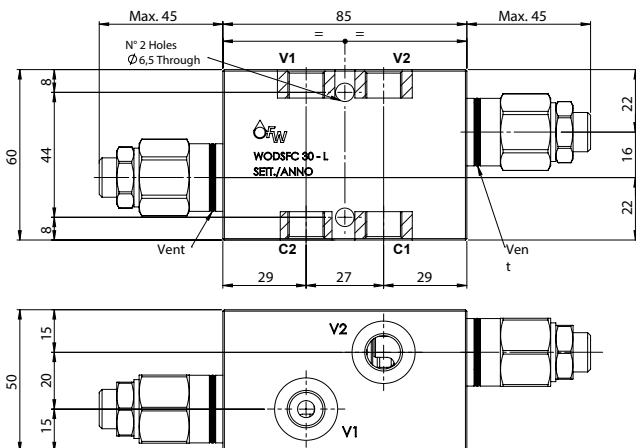
- Flow:** 30 l/min
- Max setting pressure:** 350 bar
- Materials:** Steel Body
- Pilot ratio:** 4:1 (if request 8:1; 11:1)
- Weight:** 2,050 kg

- Note:** - Pressure setting must be 30 % higher that pressure induced by the load.
- Recommended for use with closed center spools.

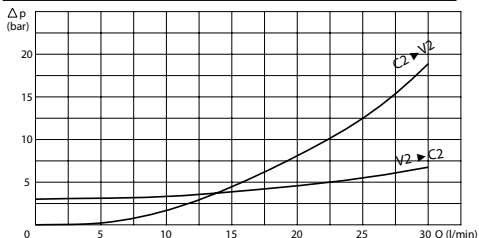


PORTS	
C1 - C2 V1 - V2	1/4

Possibility 3/8 ports.
Please contact our sales department.



PRESSURE DROP CURVES



SPRINGS

Code	20			35		
	Adjustable pressure range bar	Pressure increase bar/turn	Standard setting bar	Adjustable pressure range bar	Pressure increase bar/turn	Standard setting bar
4:1	60-210	70	170	80-350	120	280
8:1	60-220	50		100-350	85	
11:1	60-250	90		80-350	150	

ORDERING CODE

WODSFC	30		L			
		Ports Size:			Springs:	Pilot Ratio:
		- 1/4 - 3/8			- 20 - 35	- Omit if 4:1 - 8 = 8:1 - 11 = 11:1
						Adjustment if Required:
						- Omit if not required - Value