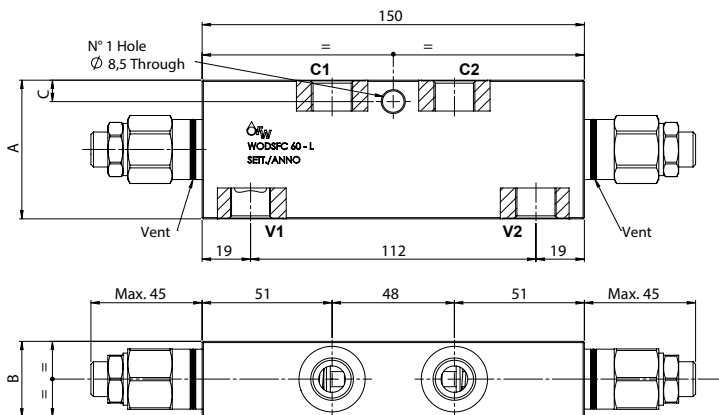
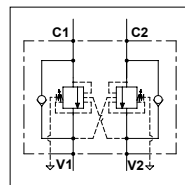


### WODSFC 60 - L

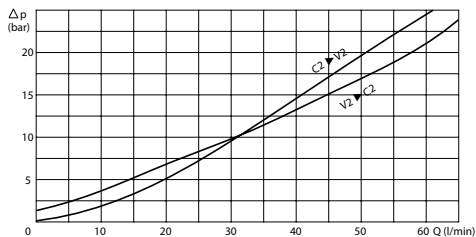
#### TECHNICAL DATA

- Flow:** 60 l/min
  - Max setting pressure:** 350 bar
  - Materials:** Steel Body
  - Pilot ratio:** 4:1 (if request 1:1; 8:1; 11:1)
  - Weight:** See Table
  - Note:** Only on request, please contact our sales department
- Note:** - Pressure setting must be 30 % higher that pressure induced by the load.  
- Recommended for use with closed center spools.



PORTS		
C1 - C2 V1 - V2	3/8	1/2
DIMENSIONS		
A	55	65
B	30	35
C	8,5	11
Weight (kg)	2,000	2,650

#### PRESSURE DROP CURVES



#### SPRINGS

Code	20			35		
	Adjustable pressure range bar	Pressure increase bar/turn	Standard setting bar	Adjustable pressure range bar	Pressure increase bar/turn	Standard setting bar
1:1	10-70	15	10	30-200	25	30
4:1	60-210	70	170	80-350	120	280
8:1	60-220	50		100-350	85	
11:1	60-250	90		80-350	150	

#### ORDERING CODE

WODSFC

60

L

**Ports Size:**

- 3/8
- 1/2

**Springs:**

- 20
- 35

**Pilot Ratio:**

- Omit if 4:1
- 1 = 1:1
- 8 = 8:1
- 11 = 11:1

**Adjustment if Required:**

- Omit if not required
- Value