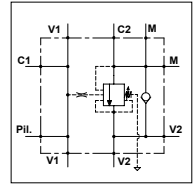


WOSFC 30 - 2F PP

TECHNICAL DATA

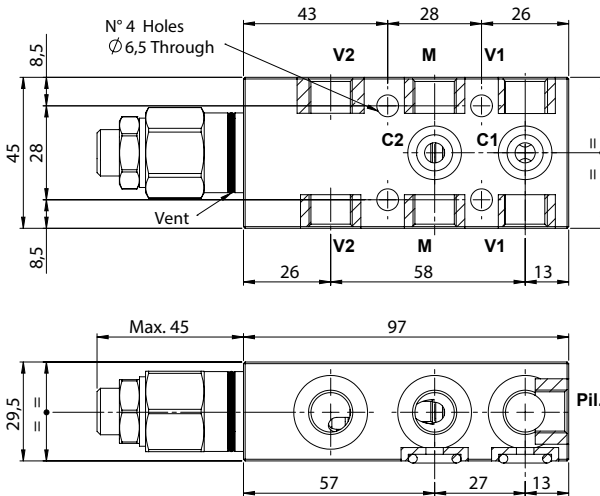
- **Flow:** 30 l/min
- **Max setting pressure:** 350 bar
- **Materials:** Steel Body
- **Pilot ratio:** 4:1 (if request 8:1; 11:1)
- **Weight:** 1,250 kg

- **Note:** - Pressure setting must be 30 % higher that pressure induced by the load.
- Recommended for use with closed center spools.

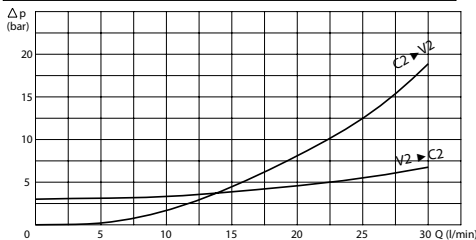


PORTS	
V1 - V2	1/4
C1 - C2	ø6
M - Pil.	1/4

Possibility 3/8 ports.
Please contact our sales department.



PRESSURE DROP CURVES



SPRINGS

Code	20			35		
	Adjustable pressure range bar	Pressure increase bar/turn	Standard setting bar	Adjustable pressure range bar	Pressure increase bar/turn	Standard setting bar
4:1	60-210	70	170	80-350	120	280
8:1	60-220	50		100-350	85	
11:1	60-250	90		80-350	150	

ORDERING CODE

WOSFC	30		2F	PP			
		Ports Size:			Springs:	Pilot Ratio:	Adjustment if Required:
		- 1/4			- 20	- Omit if 4:1	- Omit if not required
		- 3/8			- 35	- 8 = 8:1	- Value
						- 11 = 11:1	