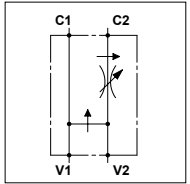
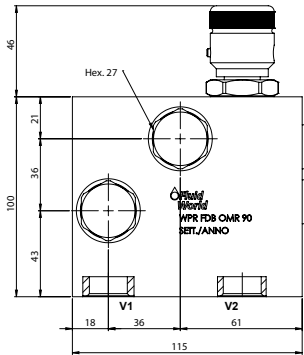
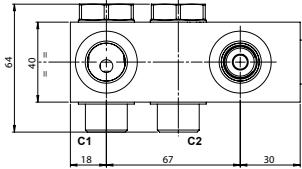


WPR FDB OMR 90

TECHNICAL DATA

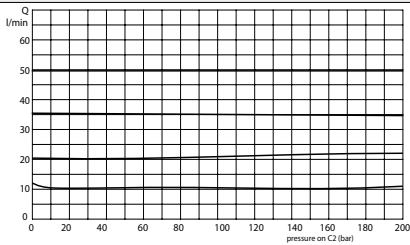
- **Flow:** 90 l/min with 50 l/min in C2
- **Max working pressure:** 250 bar (350 bar)
- **Materials:** Aluminium Body (Steel body if required)
- **Note:** Flangeable on Danfoss motors OMP/R/H
- **Weight:** 1,650 kg (3,470 kg)



PORTS

V1 - V2	1/2
C1 - C2	1/2

PRESSURE DROP CURVES



ORDERING CODE

WPR

FDB

OMR

90

1/2

Material Body:

- Omit if aluminium
- S = Steel