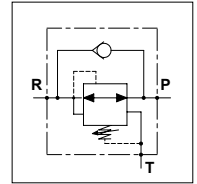
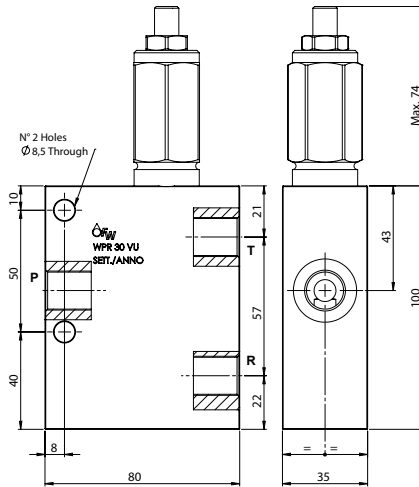


### WRP 30 VU

#### TECHNICAL DATA

- **Flow:** 30 l/min
- **Max setting pressure:** 180 bar
- **Max working pressure:** 250 bar (350 bar)
- **Max differential:** 210 bar between R and P
- **Materials:** Aluminium Body (Steel Body if required)
- **Version:** Direct Acting
- **Note:** With Relief
- **Weight:** 0,950 kg (2,100 kg)

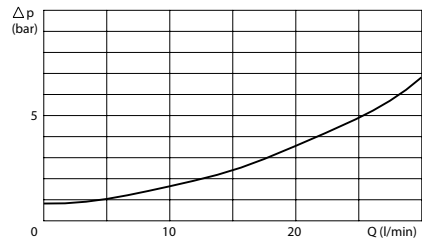
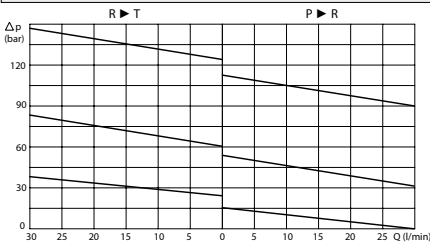


PORTS	
P - T - R	3/8

SPRINGS		
Code	Adjustable pressure range bar	Standard setting bar
<b>02</b>	5-35	5
<b>06</b>	10-60	10
<b>12</b>	35-180	35

REGULATOR	
(S) Screw	
(V) Handknob	

#### PRESSURE DROP CURVES



#### ORDERING CODE

WRP 30 3/8 VU

- Material Body:** - Omit if aluminium - S = Steel
- Type of Regulator:** - S = Screw - V = Handknob
- Springs:** - 02 - 06 - 12
- Adjustment if Required:** - Omit if not required - Value