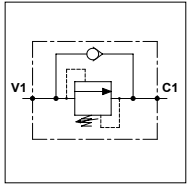


### WSD 25

#### TECHNICAL DATA

- **Flow:** 25 l/min
- **Max setting pressure:** 350 bar
- **Max working pressure:** 250 bar (350 bar)
- **Materials:** Aluminium Body (Steel Body if required)
- **Version:** Poppet Type - Direct Acting
- **Weight:** 0,310 kg (0,640 kg)

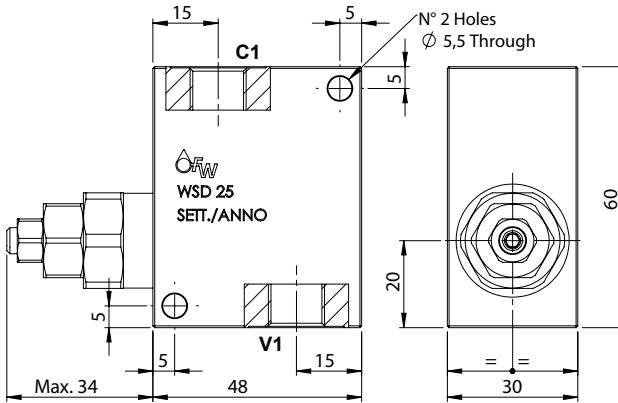


#### PORTS

C1 - V1	1/4
---------	-----

#### SPRINGS

Code	Adjustable pressure range bar	Pressure increase bar/turn	Standard setting bar
05	20-70	10	20
20	50-180	25	50
35	130-350	60	130

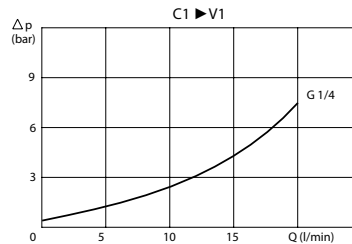
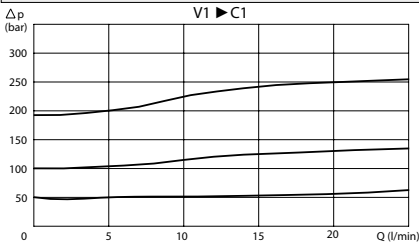


#### OPTION

Tamper Proof Cap



#### PRESSURE DROP CURVES



#### ORDERING CODE

WSD

25

1/4



**Material Body:**

- Omit if aluminium
- S = Steel



**Springs:**

- 05
- 20
- 35



**Adjustment if Required:**

- Omit if not required
- Value
- Value with X