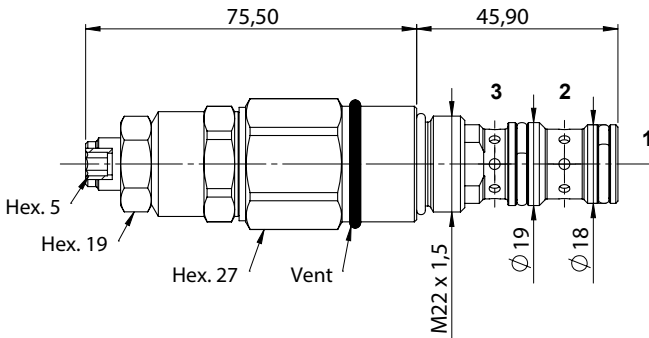
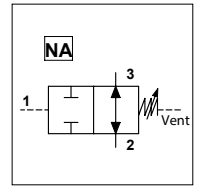


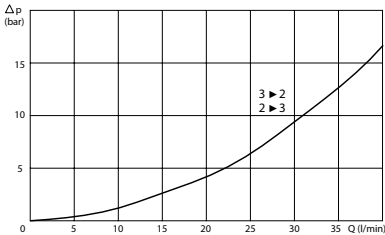
# WSD C 40 M22 NA

## TECHNICAL DATA

- **Flow:** 40 l/min
- **Max working pressure:** 300 bar
- **Materials:** Cartridge in Steel Zinc Plated
- **Version:** Spool Type - Direct Acting
- **Cavity:** FW2203000
- **Installation torque:** 45-50 Nm
- **Adjustable pressure range:** 15-60 bar
- **Weight:** 0,330 kg



## PRESSURE DROP CURVES



## ORDERING CODE

WSD

C

40

M22

NA

Adjustment if Required:  
- Omit if not required  
- Value