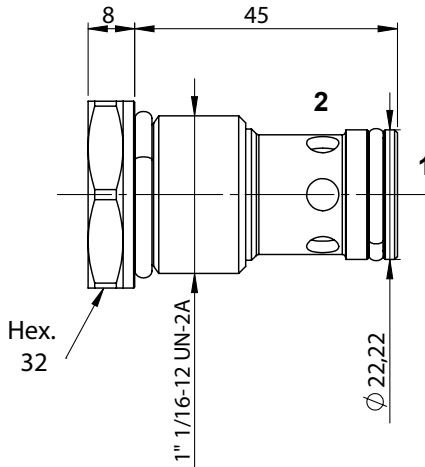
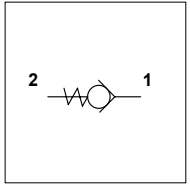


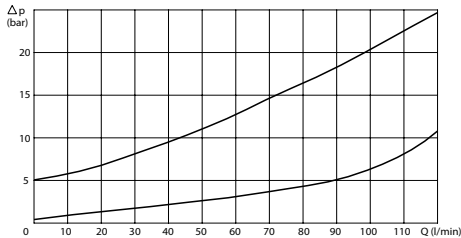
WUC C 120

TECHNICAL DATA

- **Flow:** 120 l/min
- **Max working pressure:** 420 bar
- **Materials:** Cartridge in Steel Zinc Plated
- **Version:** Poppet Type
- **Cavity:** FW1160200
- **Installation torque:** 60-65 Nm
- **Weight:** 0,160 kg



PRESSURE DROP CURVES



SPRINGS

Code	Cracking pressure bar
Standard	1
5	5

ORDERING CODE

WUC

C

120



Opening Pressure:
 - Omit if 1 bar
 - 5 = 5 bar