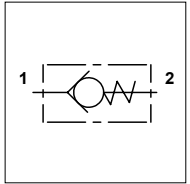


WUC ORFS 08 MF

TECHNICAL DATA

- **Flow:** 30 l/min
- **Max working pressure:** 350 bar
- **Cracking pressure:** <0,5 bar
- **Materials:** Steel Zinc Plated Body
- **Version:** Poppet Type - Direct Acting
- **Weight:** 0,120 kg

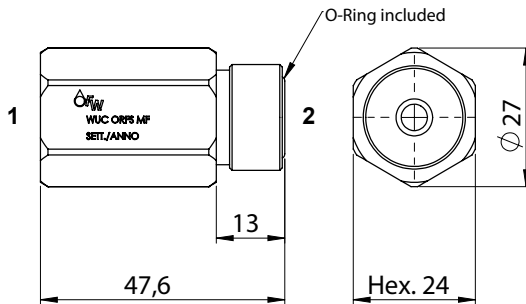


PORTS

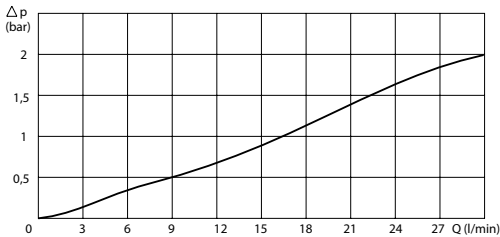
1 - 2	Orfs
-------	------

DIMENSIONS

Thread	13/16-16
--------	----------



PRESSURE DROP CURVES



ORDERING CODE

WUC

ORFS

08

MF