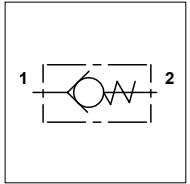


## WUC ORFS 16 MM

### TECHNICAL DATA

- **Flow:** 250 l/min
- **Max working pressure:** 350 bar
- **Cracking pressure:** <0,5 bar
- **Materials:** Steel Zinc Plated Body
- **Version:** Poppet Type - Direct Acting
- **Weight:** 0,330 kg

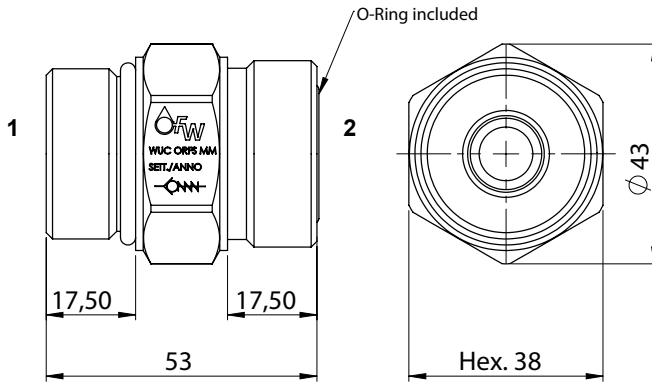


### PORTS

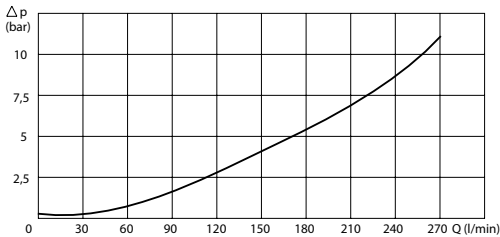
1 - 2	Orfs
-------	------

### DIMENSIONS

Thread 1	1-5/16-12
Thread 2	1-7/16-12



### PRESSURE DROP CURVES



### ORDERING CODE

WUC

ORFS

16

MM