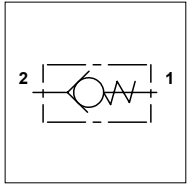


## WUCR ORFS 08 MM

### TECHNICAL DATA

- **Flow:** 30 l/min
- **Max working pressure:** 350 bar
- **Cracking pressure:** <0,5 bar
- **Materials:** Steel Zinc Plated Body
- **Version:** Poppet Type - Direct Acting
- **Weight:** 0,090 kg

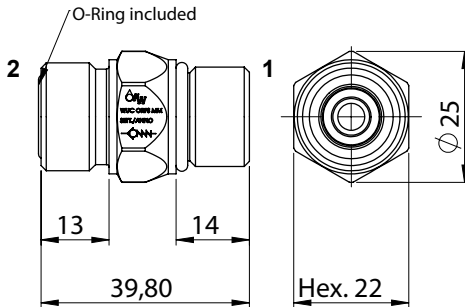


### PORTS

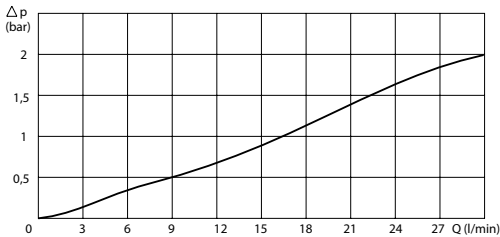
1 - 2	Orfs
-------	------

### DIMENSIONS

Thread 1	13/16-16
Thread 2	3/4-16



### PRESSURE DROP CURVES



### ORDERING CODE

WUCR

ORFS

08

MM