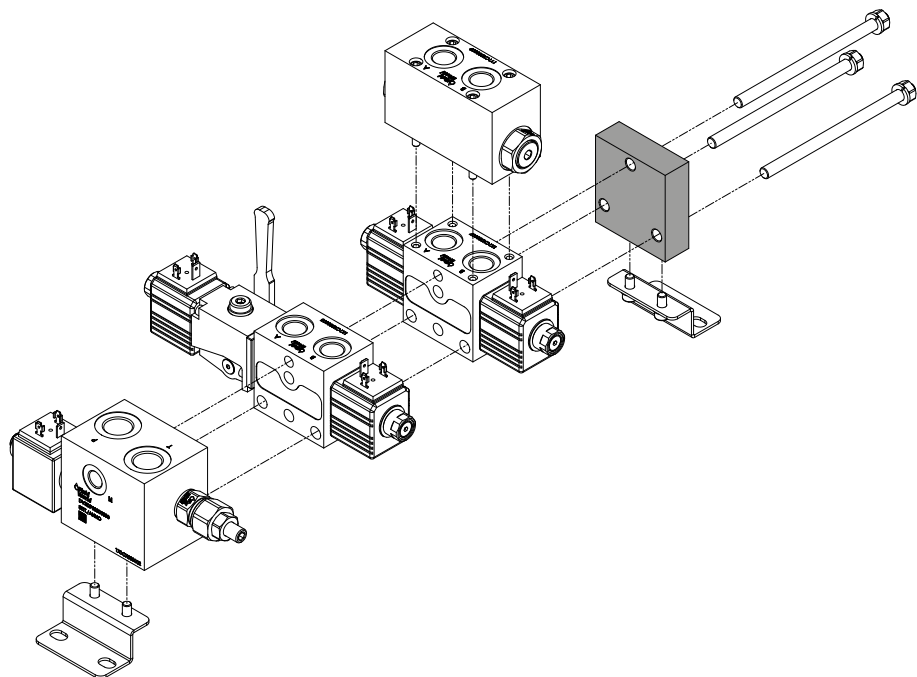


## C - OUTLET ELEMENTS



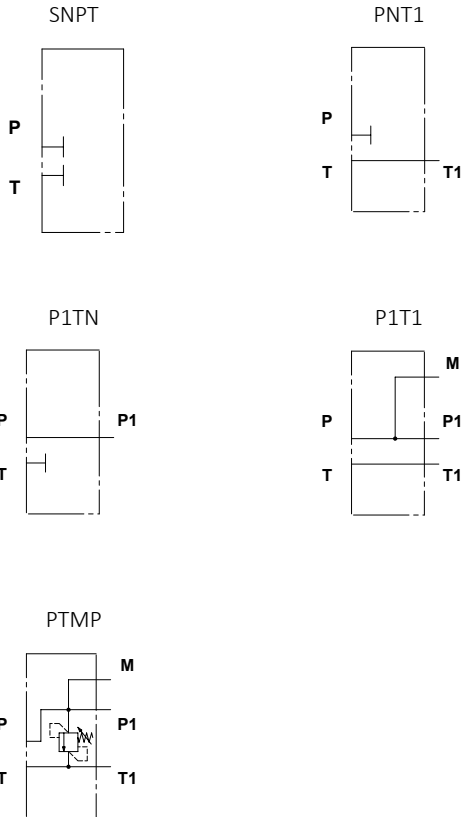
01	02	03a	03b	04	05a	05b					
EX	-	SNPT	-	N00	0	-	A	-			/

## C - OUTLET ELEMENTS

<b>01</b>	<b>Outlet elements</b>	EX
<b>02</b>	<b>Application scheme:</b> Basic (no connections) With additional tank port T1 With additional inlet port P1 With additional port P1, T1 and pressure measurement M1 With additional port P1, T1, M1 and pressure relief valve	<b>pag. 346</b> SNPT PNT1 P1TN P1T1 PTMP
<b>03a</b>	<b>Ports:</b> No ports (SNPT configuration) P and T G3/8 (DIN 3852) P and T G1/2 (DIN 3852)	- N00 G38 G12
<b>03b</b>	<b>Option corking:</b> No ports (SNPT configuration) P and T open P closed T open T closed P open P and T closed	- 0 N P T C
<b>04</b>	<b>Material:</b> Aluminium Steel zinc plated	- A S
<b>05a</b>	<b>Pressure relief valve:</b> (Only for PTMP) Range 5-55 Range 25-110 Range 50-215 Range 100-350 Plug (without pressure relief valve)	<b>pag. 347</b> 05 10 20 35 00
<b>05b</b>	<b>Setting pressure relief valve:</b> (Only for PTMP) Standard adjustment Adjustment required Adjustment required with safety plug Plug (without pressure relief valve)	<b>pag. 347</b> NSTD N(XXX) T(XXX) NTAP

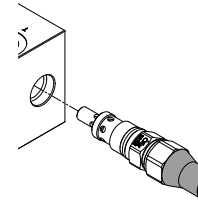
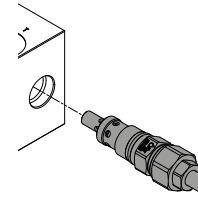
## C - OUTLET ELEMENTS

**02** Application scheme:



## C - OUTLET ELEMENTS

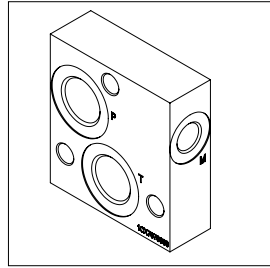
**05** Pressure relief valve: (Only for PTMP)



SPRINGS			
Code	Adjustable pressure range bar	Pressure increase bar/turn	Standard setting bar
05	5-55	15	5
10	25-110	25	25
20	50-215	50	50
35	100-350	90	100

(option)  
T  
Adjustment required with safety plug

## C - OUTLET ELEMENTS

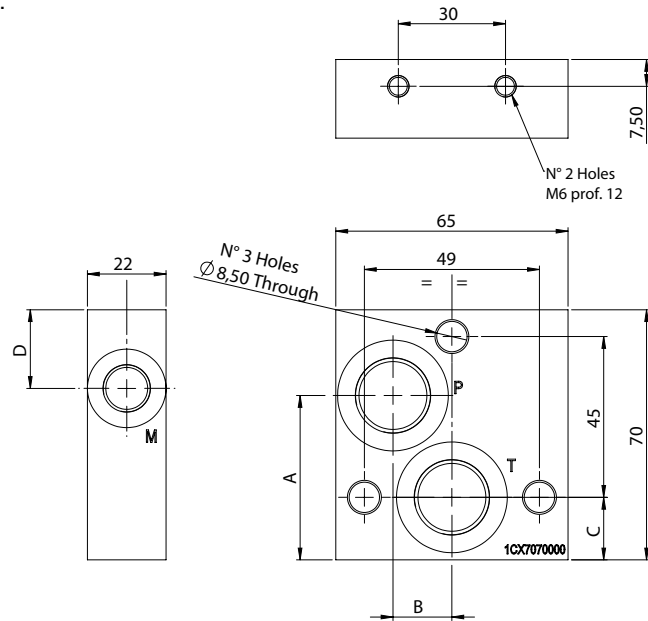


OUTLET DIMENSIONS G 3/8				
	SNPT	PNT1	P1TN	P1T1
A	-	-	42	42
B	-	-	-	-
C	-	13,5	-	13,5
D	-	-	-	22

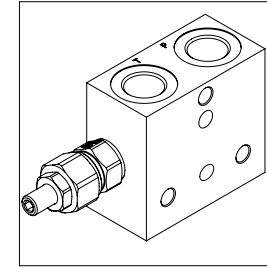
  

OUTLET DIMENSIONS G 1/2				
	SNPT	PNT1	P1TN	P1T1
A	-	-	40	46
B	-	-	-	16,5
C	-	17,5	-	17,5
D	-	-	-	22

General external dimensions of outlet elements.



## C - OUTLET ELEMENTS



**PTMP** outlet element  
with P, T, M and pressure relief valve.

