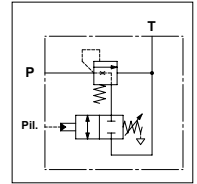
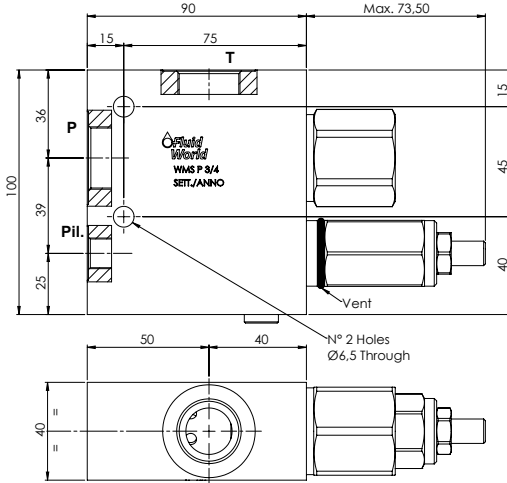


WMS P 3/4

TECHNICAL DATA


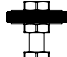
- **Flow:** 150 l/min
- **Max setting pressure:** 250 bar
- **Materials:** Aluminium Body
- **Weight:** 1,520 kg



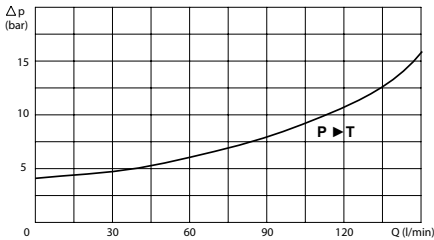
PORTS

P - T	3/4
Pil.	1/4

REGULATOR

(S) Screw	
(V) Handknob	

PRESSURE DROP CURVES



SPRINGS

Code	Adjustable pressure range bar	Standard setting bar
06	20-85	30
22	60-210	60

ORDERING CODE

WMS

P

3/4

Type of Regulator:

- S = Screw
- V = Handknob

Springs:

- 06
- 22